



RIPE NCC
RIPE NETWORK COORDINATION CENTRE

Portable external monitors

Ondřej Caletka | 3rd June 2020 | NCC Sevens

Motivation



- working from kitchen table, bedroom, attic,...
- no room for a standard monitor
- no bulky thing you need to take care of when moving
- you want to see both shared screen and gallery view in Zoom



Limitations



- second screen of similar size rather than a big screen
- requires power rather than providing power
 - can be powered by the computer in most cases
- not a wide portfolio to choose from
- screen sizes 13" – 16"
- no ultra high definition resolutions nor 16:10 aspect ratios
 - most common is 16:9 1920x1080 IPS

Connection

- DisplayPort alternate mode of USB Type-C
 - provides power to the monitor as well
 - requires computer with Thunderbolt 3 or USB-C with DP Alt mode support
- Micro-HDMI input
 - for computers without Type-C connectors
 - requires separate USB power cable or a battery inside monitor
- DisplayLink video over USB
 - software based solution, requires driver, high CPU load, slow screen refresh rate
 - **avoid this if possible**



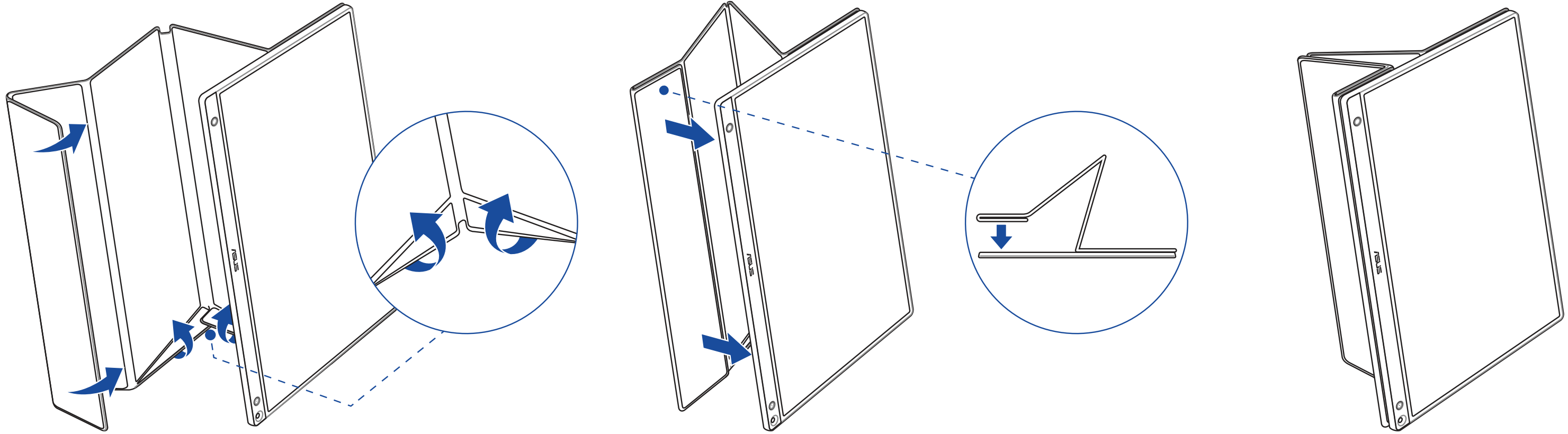
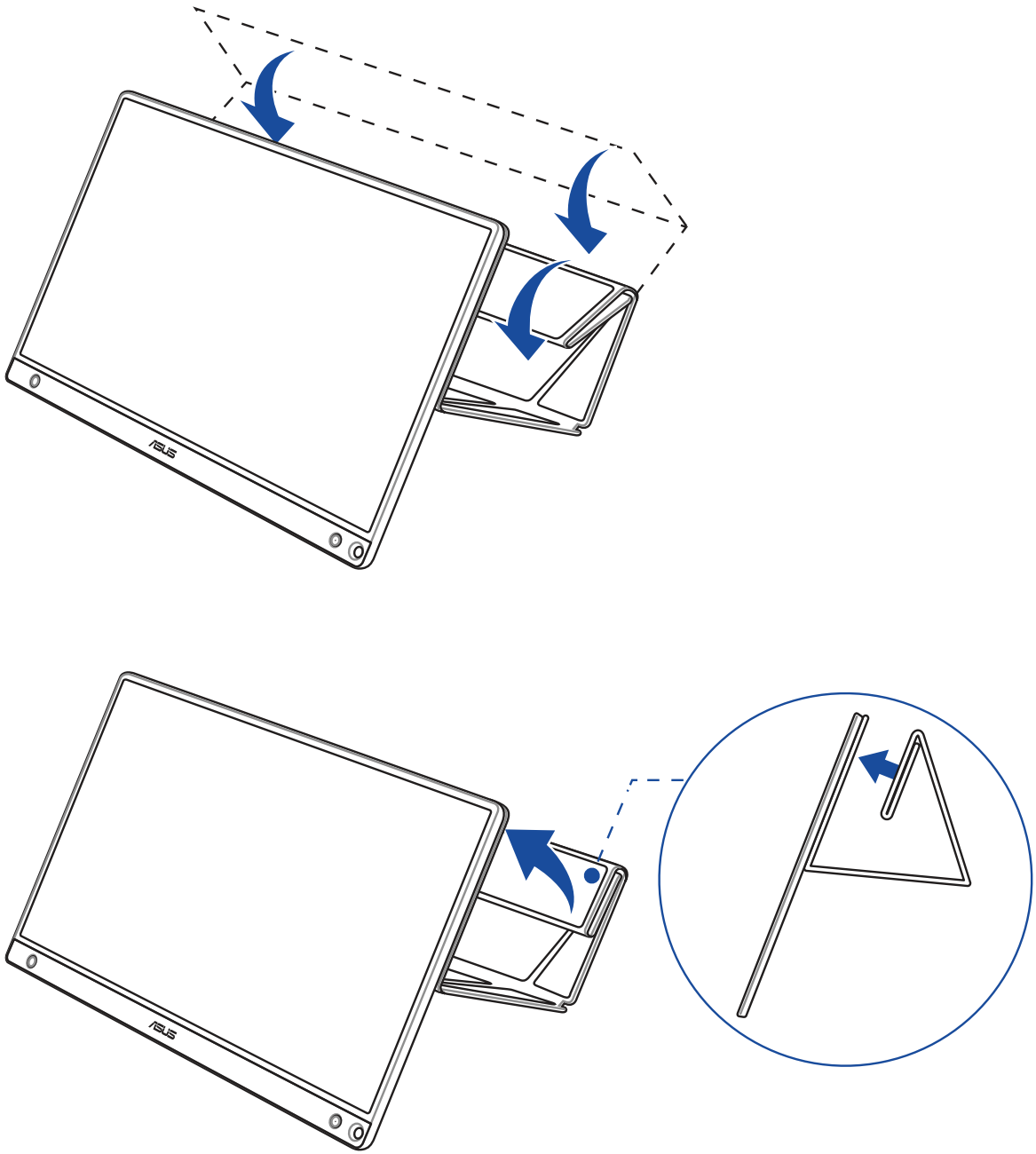
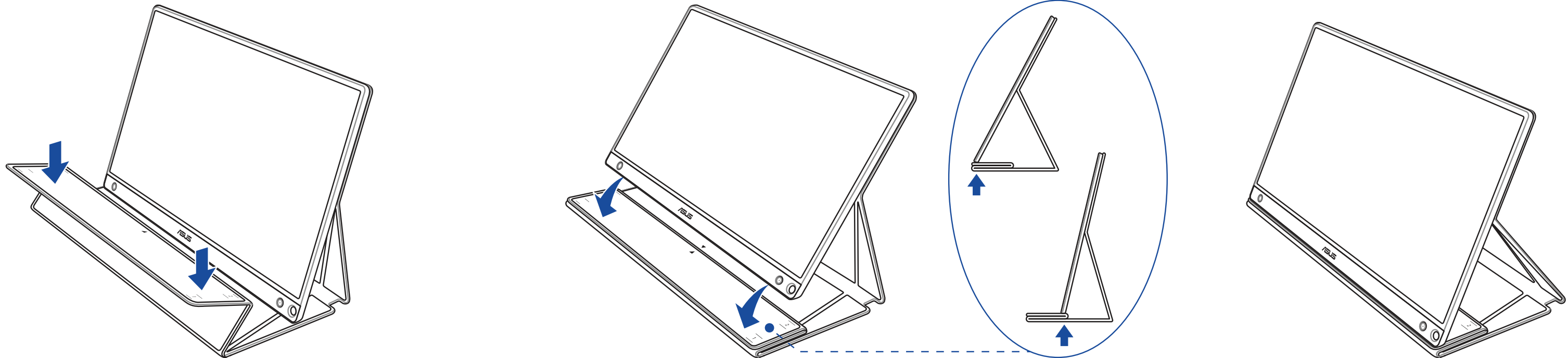
ASUS ZenScreen Touch MB16AMT



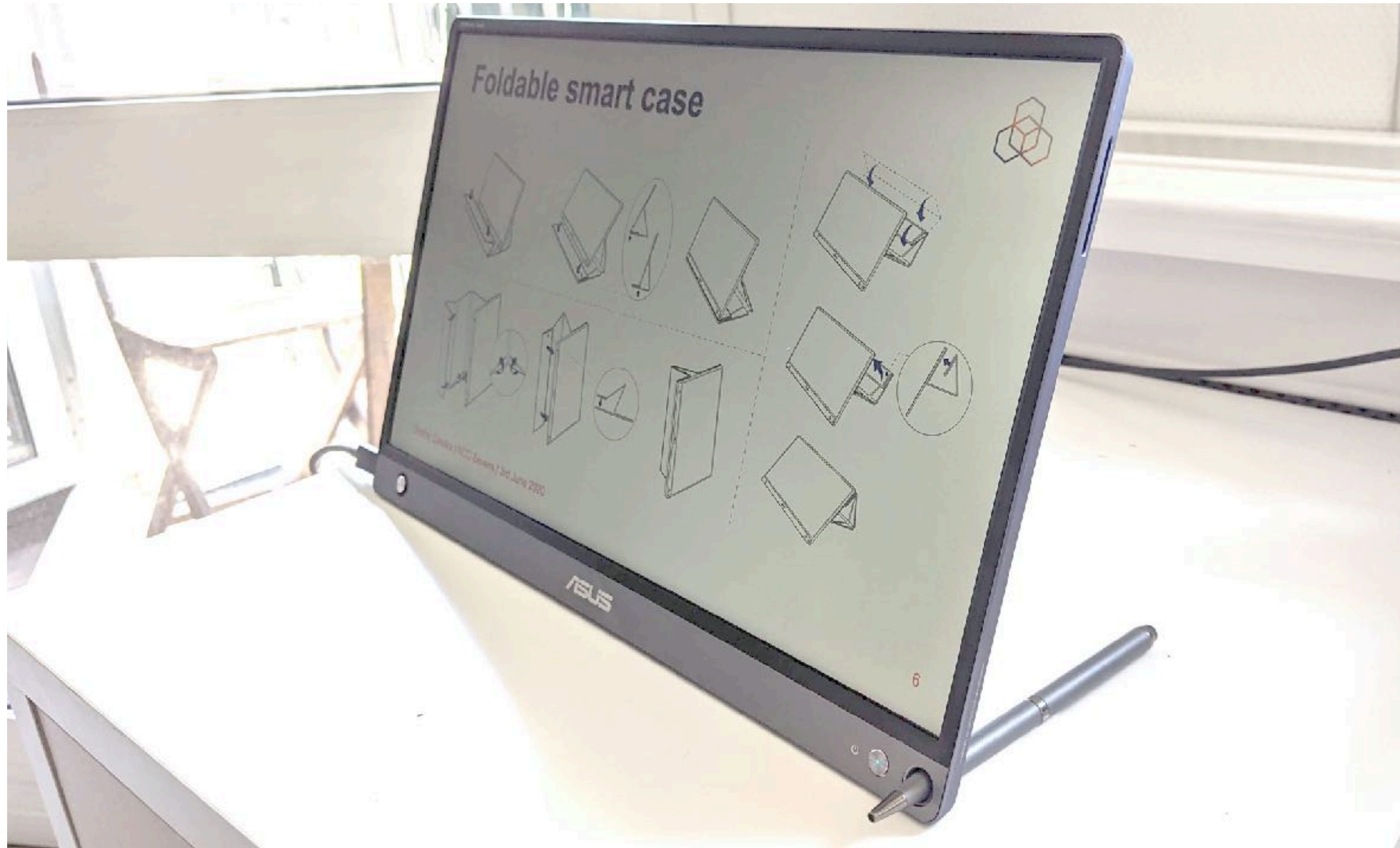
- 15,6" IPS Full HD monitor
- internal battery for up to 4 hours
- HDMI, USB Type-C DisplayPort and DisplayLink inputs
- 10-point touch function
- 0.9 kg
- foldable smart cover
- 399 € on [CoolBlue.nl](https://www.coolblue.nl)



Foldable smart cover



But all you need is a pen



To use Touchscreen on macOS, you need Windows first



Version –

2020/01/16

6.33 MBytes

****Caution: This firmware is only available for the MAC OS version 10.15 ****

Tool update method:

1. Connect the MB16AMT to your PC/NB with the USB port (only supported in Win 7/8/8.1/10)
2. Click and run the update tool, a window will show and the tool will start updating automatically without any other operation.
3. The update is complete when the program automatically closes.



Conclusion

- better workplace if standard monitor is not for you
- avoid using DisplayLink, always go for HDMI or DisplayPort (over USB Type-C)
- the battery is unnecessary for home office use
- no need for touchscreen either





Questions



Ondrej.Caletka@ripe.net
<https://Ondřej.Caletka.cz>